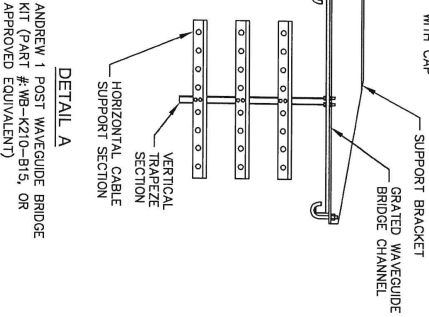
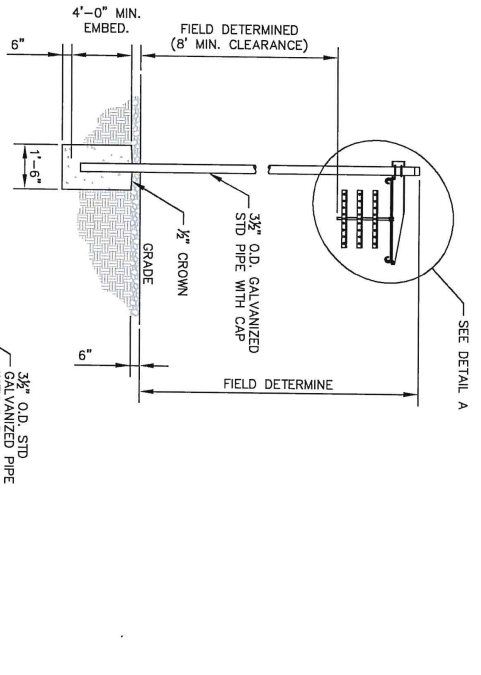


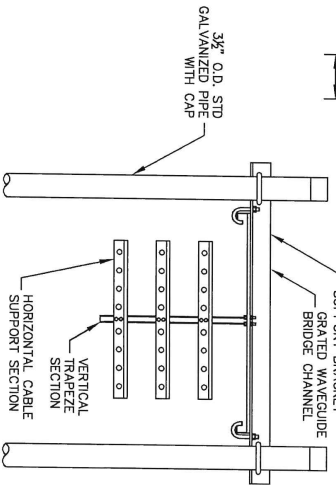
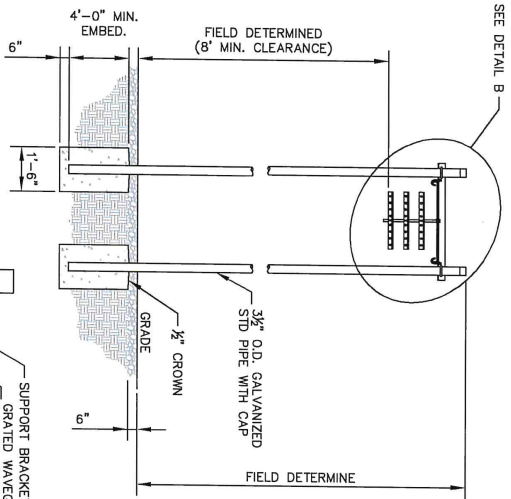
This document, together with the concepts and designs presented herein, is an instrument of service. It is intended only for the specific project and shall not be used for any other project without the written authorization and approval of Kimley-Horn and Associates, Inc. No part of this document shall be reproduced or transmitted in any form or by any means, electronic or mechanical, including photocopying, recording, or by any information storage and retrieval system, without the prior written permission of Kimley-Horn and Associates, Inc.



ANDREW 1 POST WAVEGUIDE BRIDGE KIT (PART #WB-K210-B15, OR APPROVED EQUIVALENT)

- NOTE:
1. ALL MATERIALS FURNISHED BY CONTRACTOR UNLESS OTHERWISE NOTED.

1 WAVEGUIDE BRIDGE DETAIL
C12 NOT TO SCALE



ANDREW 2 POST WAVEGUIDE BRIDGE KIT (PART #WB-K410-B15, OR APPROVED EQUIVALENT)

- NOTE:
1. ALL MATERIALS FURNISHED BY CONTRACTOR UNLESS OTHERWISE NOTED.

2 WAVEGUIDE BRIDGE DETAIL (ALT DESIGN - 2 PIPE COLUMNS)
C12 NOT TO SCALE



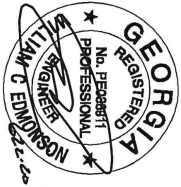
PROJECT INFORMATION:
SITE NAME:
OLD STATE ROAD
SITE No.: 502591
FLUZE PROJECT#: 15525785
GOOD RIVER CIRCLE
NATION, GA 31841
LOWMEYER COUNTY

PLANS PREPARED BY:
Kimley-Horn

11720 AMES PARK DRIVE, SUITE 600
ALPHARETTA, GA 30009
WWW.KH-INC.COM

NEW DATE: ISSUED FOR: BY:

7			
6			
5			
4			
3			
2			
1	0	05/16/20	CONSTRUCTION WCE
A	05/12/20		PRELIMINARY WCE



KHA PROJECT NUMBER:
01350994

DRAWN BY: CHECKED BY:
TDM WCE

SHEET TITLE:
WAVEGUIDE BRIDGE DETAILS

SHEET NUMBER:
C12